

DATA SHEET SERIES FIS DUAL WINDOW 150# THREADED END SIGHT FLOW INDICATORS

SERIES FIS 150# THREADED SIGHT FLOW INDICATORS |

J.G. PAPAILIAS, Co.'s Series FIS dual window sight flow indicators feature FNPT threaded ends. These indicators offer inline on-the-spot viewing of a pipeline's contents. Series FIS sightflow indicators may be configured with flapper, drip tube or rotary flow indicators. Options include socket weld, sil-braze or butt weld end connections as well as double safety window assemblies.

DESIGN CONDITIONS:

Pressure: Up to 150PSIG/FV. Full 150# ANSI ratings available. Consult factory for details.
 Temperature: Tempered Borosilicate Glass, ≤ 500°F
 Fused Quartz Glass, >500°F
 Lexan/Acrylic (Non-Glass), ≤200°F

STANDARD MATERIALS OF CONSTRUCTION:

Item	Description	Material
1,2	Body & Lens	Carbon Steel
	Retainers	T316 Stainless Steel
		T304 Stainless Steel [option]
		Hastelloy, Inconel, other [option]
3	Lens	Tempered Borosilicate Glass
		Fused Quartz Glass [option]
		Lexan/Acrylic/Non-Glass [option]
4	Seal Gasket	EPDM Elastomer [300°F Max]
		Expanded PTFE [500°F Max]
		Fluoroelastomer [400°F Max]
		Graphite [>500°F]
		Other upon request
5	Cushion	Non-Asbestos Fiber, or Other
6	Stud	A193 B7, A193 B8 or Other
7	Hex Nut	A194 2H, A194 Gr8 or Other

INTERNAL FLOW INDICATOR OPTIONS:

Plain [N]: No Indicator. Flow direction/orientation: Any

Flapper [F]: Hinged flapper. Flow direction/orientation: Uni-Direction, vertical up or horizontal flow.

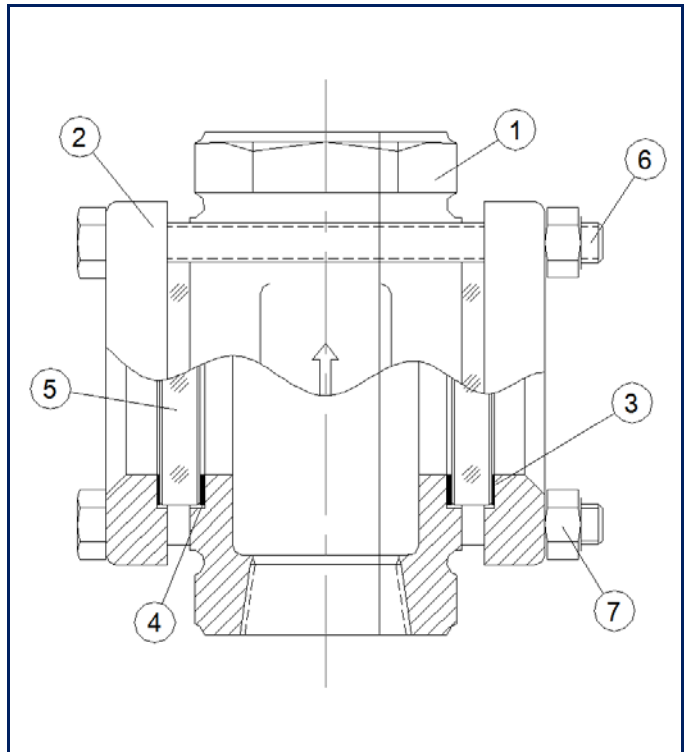
Rotor [R]: A PTFE or SST spinning Rotor indicator. Flow direction/orientation: Any

Drip Tube [D]: For low or intermittent flow. Flow direction, orientation: uni-directional, vertical down or horizontal.

Flutter: A PTFE flutter indicator can be used in flow of gasses or liquids. Flow direction/orientation: Any



PAPAILIAS, INC. SERIES FIS 150# THREADED SIGHT FLOW INDICATOR

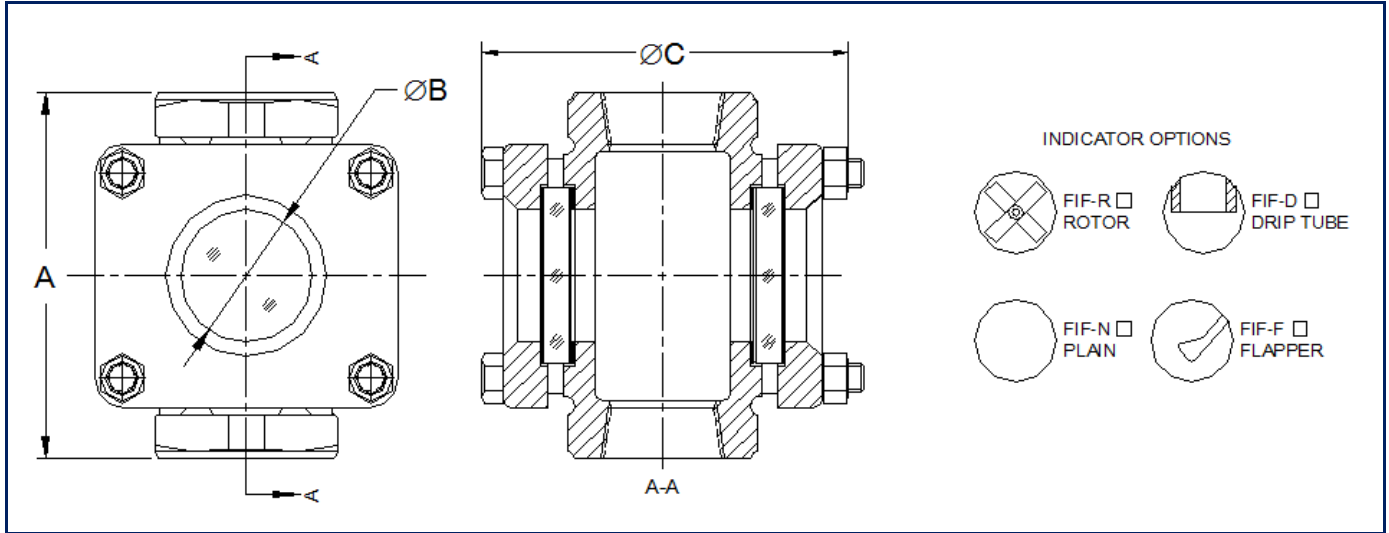


PAPAILIAS, INC. SERIES FIS SCHEMATIC VIEW

STANDARD DOCUMENTATION:

- Certified Material Test Report [CMTR] for body
- Certificate of Compliance
- CMTRs for Lens Retainers & Fasteners upon Request.
- CRN upon application and certain provinces only

DATA SHEET SERIES FIS DUAL WINDOW 150# THREADED END SIGHT FLOW INDICATORS



Size/Model	A		B		C		Rating*		Est. Weight	
	Inch	mm	Inch	mm	Inch	mm	PSIG	BARG	Lbs	Kgs
½" FIS	3-3/4	95	1-1/8	29	3-11/16	94	150	10.3	4	2
¾" FIS	3-3/4	95	1-1/8	29	3-11/16	94	150	10.3	4	2
1" FIS	4-1/4	108	1-1/8	29	4-1/4	108	150	10.3	6	3
1¼" FIS	5-1/2	140	1-3/4	44	5-7/8	149	150	10.3	12	5
1½" FIS	5-1/2	140	1-3/4	44	5-7/8	149	150	10.3	12	5
2" FIS	6-1/4	159	2-1/4	57	6-7/8	175	150	10.3	18	8

ORDERING INFORMATION:



Size:

½": ½" FNPT
 ¾": ¾" FNPT
 1": 1" FNPT
 1¼": 1¼" FNPT
 1½": 1½" FNPT
 2": 2" FNPT

Model/Indicator:

FIS-N: Plain Style
 FIS-F: Flapper Style
 FIS-R: Rotor Style
 FIS-D: Drip Tube
 FIS-FL: Flutter Style

Body Material:

CS = Carbon Steel
 304 = 304/304L SST
 316 = 316/316L SST
 BRZ = Bronze
 C22 = Alloy C22
 C276 = Alloy C276
 A20 = Alloy 20
 Other = Specify

Lens Retainer:

Blank = Carbon Steel [Standard]
 304 = 304/304L SST
 316 = 316/316L SST
 C22 = Alloy C22
 C276 = Alloy C276
 A20 = Alloy 20
 Other = Specify

Lens:

Blank - Temp Borosilicate [Standard]
 QTZ - Fused Quartz
 ACR - Cast Acrylic
 LEX - Polycarbonate
 Other - Specify

Seal Gasket:

EPDM - EPDM
 TFE - ePTFE
 FKM - Viton/FKM
 SIL - Silicone
 NEO - Neoprene
 GPH - Graphite
 Other - Specify



Shield Option:

KEL=F = Kel=F Shield
 MICA = Mica Shield
 PFA = PFA/Teflon Shield



Illuminator Option:

Contact Factory

Sample Part Number: 1" FIS-F/316/316/TFE/PFA = 1" 150# Threaded End Flapper Style Sight Flow Indicator with T316 SST Body and Lens Retainers, Tempered Borosilicate Glass Lenses, Expanded PTFE Seal Gasket and PFA Lens Shield.