

# DATA SHEET | SERIES TYPE 2 WINDOW WIPER [HIGH PRESSURE]

## TYPE 2 HIGH PRESSURE WINDOW WIPERS [TY2WW]:

PAPAILIAS, Inc. offers window wipers for various pressure applications to efficiently clean the inside surface of a sight glass lens while under operation. The Type 2 Rated for pressures up to 225PSI [16 Bar] the Type 2 window wiper features a unique, thru-the-flange design that uses a flexible drive shaft that turns a spring loaded, full face wiper blade for efficient cleaning. Temperature ratings range from: 350°F [177°C] with a Silicon blade to 400°F [204°C] with PTFE blade. Type 1 window wipers are available for all PAPAILIAS weld pad circular sight glasses Series NW100, NW125, WN150 and NW200 and may be used in conjunction with various illuminators and Window Washers. All interior wetted parts of the Type 2 wiper are constructed of stainless steel.

### DESIGN & APPLICATION:

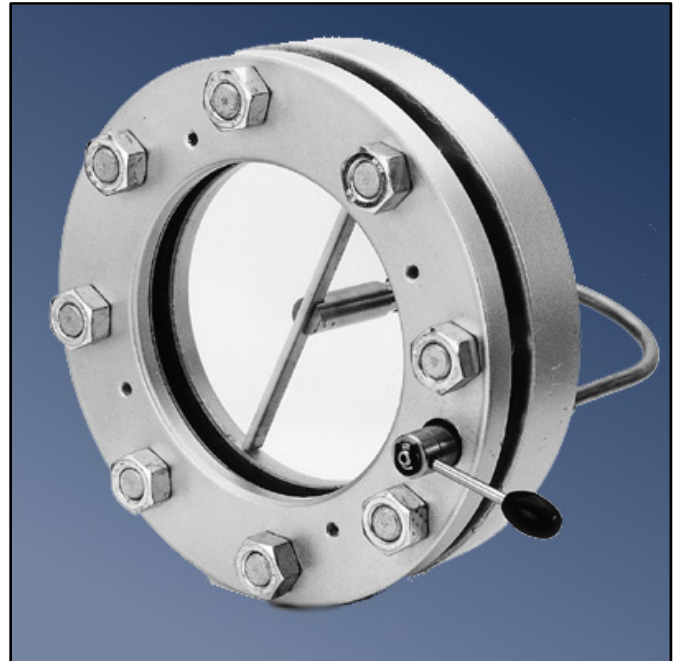
**a. Typical Applications:** Chemical, pharmaceutical, biogas, Petrochemical and food processing user find the Type 1 Window Wiper is useful to maintain a clear view of the interior of pressure vessels, bioreactors, laboratory mixers, filters as well as the interiors of various tanks, agitators, separators, pipelines and other, usually closed, vessels.

**b. Operation:** The wiper is actuated by flexible drive shaft with one end engages with wiper blade holder and at the other engaged in the lever operated ratchet drive mechanism. The design maintains that the drive shaft is always rotated in same direction. A PTFE or Silicone Blade [other elastomers are available upon request] is used for cleaning of inside glass surface.

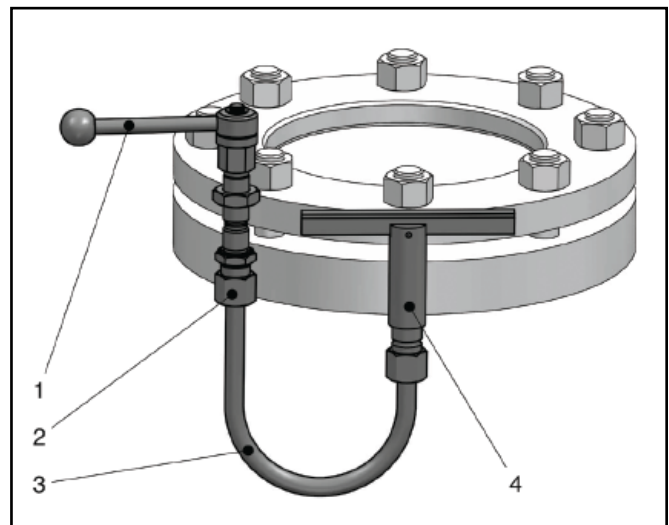
**c. Combinations:** May be combined with various lighting fixtures including Series PL, MSL, SLEX, REX and FIBERLUX and all PAPAILIAS, Inc. washing devices.

### STANDARD MATERIALS OF CONSTRUCTION:

Item #	Description	Material
1	Ratchet Lever	304 SST
2	Threaded Gland	316 SST
3	Shaft Guide Tube	316 SST
4	Wiper Blade and Holder	PTFE or Silicone T316 SST



PAPAILIAS, Inc. Series Type 2 Window Wiper  
[Installed in Series NW Weld Pad Style Sight Glass]



PAPAILIAS, Inc. Series Type 2 Window Wiper  
[Schematic View]

### MATERIALS AND OPTIONS:

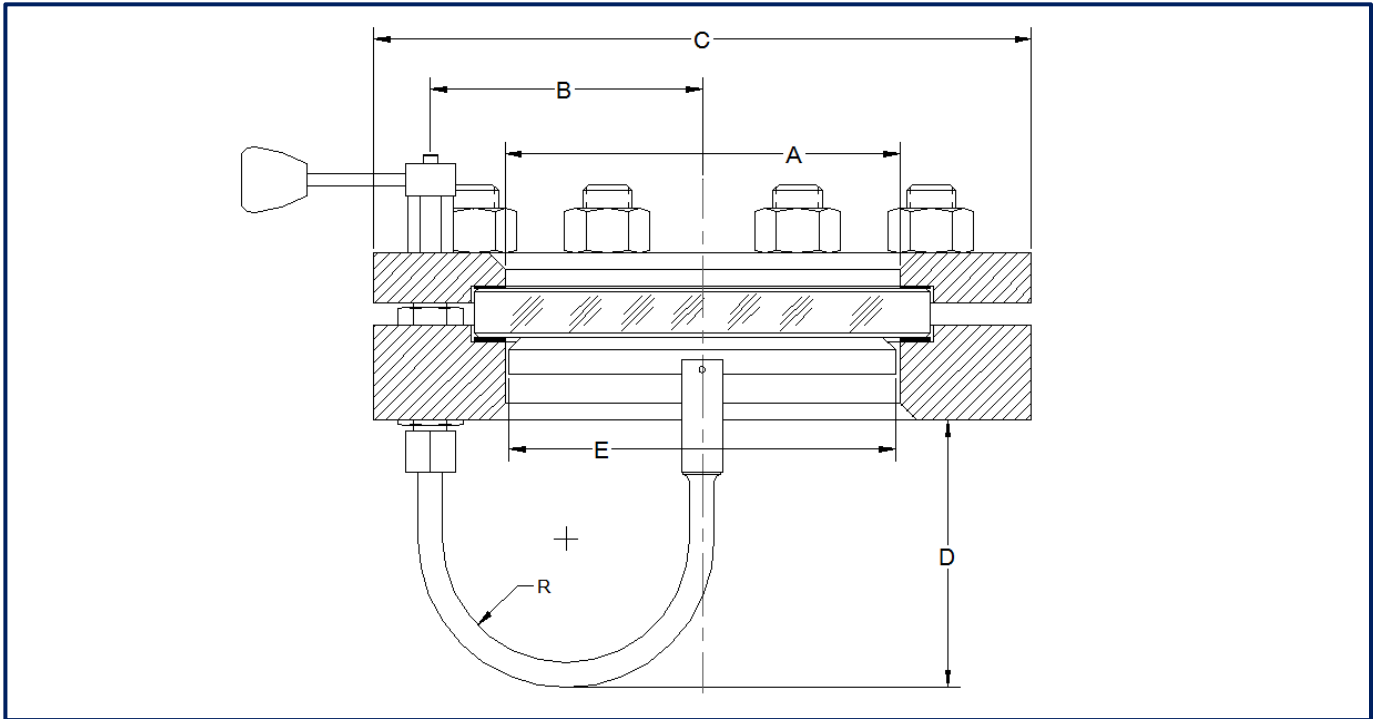
1. Wiper Blade:
  - a. PTFE or Silicone Rubber [standard]
  - b. Kalrez, Aflas, EPDM [Option]
  - c. other as specified [Option]
2. Metallic Product Contact Parts: Stainless Steel
3. Drive Internal Seal: PTFE
4. Motorized Actuation [Option]

### G PAPAILIAS CO., INC

245 Pegasus Ave., Northvale, NJ 07647  
Tel: 201-767-4027 www.papailias.com



# DATA SHEET | SERIES TYPE 2 WINDOW WIPER [HIGH PRESSURE]



Model	Dimensions						Max. Pressure	PTFE Blade Max. °F <sup>1</sup>	Silicone Blade Max °F <sup>1</sup>
	A	B	C	D	E	R			
TY2WW-NW100	5"	3 <sup>11</sup> / <sub>16</sub> "	9"	4 <sup>3</sup> / <sub>8</sub>	4 <sup>3</sup> / <sub>4</sub> "	1 <sup>7</sup> / <sub>16</sub> "	225 PSI	500°F	400°F
TY2WW-NW125	6"	4 <sup>1</sup> / <sub>8</sub>	10"	4 <sup>3</sup> / <sub>8</sub>	5 <sup>7</sup> / <sub>8</sub> "	1 <sup>11</sup> / <sub>16</sub> "	225 PSI	500°F	400°F
TY2WW-NW150	6 <sup>7</sup> / <sub>8</sub> "	4 <sup>3</sup> / <sub>4</sub> "	11"	5 <sup>1</sup> / <sub>8</sub>	6 <sup>3</sup> / <sub>4</sub> "	2"	225 PSI	500°F	400°F
TY2WW-NW200	9"	5 <sup>13</sup> / <sub>16</sub> "	13 <sup>1</sup> / <sub>2</sub> "	5 <sup>1</sup> / <sub>8</sub>	8 <sup>3</sup> / <sub>4</sub> "	2 <sup>1</sup> / <sub>2</sub> "	225 PSI	500°F	400°F

Part Numbers	NW100	NW125	NW150	NW200
Silicone Blade	TY2WW-NW100-SIL	TY2WW-NW125-SIL	TY2WW-NW150-SIL	TY2WW-NW200-SIL
PTFE Blade	TY2WW-NW100-PTFE	TY2WW-NW125-PTFE	TY2WW-NW150-PTFE	TY2WW-NW200-PTFE

## REPLACEMENT PARTS:

Wiper Blades	Size	Silicone P/N	PTFE P/N
	TY2WW-NW100	SP-TY2WW-NW100-SIL	SP-TY2WW-NW100-PTFE
	TY2WW-NW125	SP-TY2WW-NW125-PTFE	SP-TY2WW-NW125-PTFE
	TY2WW-NW150	SP-TY2WW-NW150-PTFE	SP-TY2WW-NW150-PTFE
	TY2WW-NW200	SP-TY2WW-NW200-PTFE	SP-TY2WW-NW200-PTFE

Packing Ring	Size	PTFE Packing Ring P/N
	TY2WW-NW100	SP-TY2WW-NW100-08
	TY2WW-NW125	SP-TY2WW-NW125-08
	TY2WW-NW150	SP-TY2WW-NW150-08
	TY2WW-NW200	SP-TY2WW-NW200-08

<sup>1</sup> Temperature rating does not take into account glass type.