

DATA SHEET | SERIES TYPE 1 WINDOW WIPER [LOW PRESSURE]

TYPE 1 LOW PRESSURE SIGHT WINDOW WIPERS |

The Type I window wiper [TY1WW] features a direct, thru-the-glass mechanism that reliably wipes away residue on the inside surface of the lens. Depending on the size of the lens Type 1 Window Wipers are suitable for pressures from 29PSI [2 Bar] to 87PSI [6 Bar]. Temperature ratings range from: 350°F [177°C] with a Silicone blade to 400°F [204°C] with PTFE blade. Type I window wipers are available for all PAPAILIAS Circular sight glasses with a nominal ID of 3" and larger and may be used in conjunction with various illuminators and Window Washers. All interior wetted metallic parts of the Type I wiper are stainless steel.

DESIGN & APPLICATION:

a. Typical Applications: Chemical, pharmaceutical, biogas, Petrochemical and food processing user find the Type 1 Window Wiper is useful to maintain a clear view of the interior of pressure vessels, bioreactors, laboratory mixers, filters as well as the interiors of various tanks, agitators, separators, pipelines and other, usually closed, vessels.

b. Operation: Manual Operation with ratchet driven drive shaft for easy actuation. PTFE or Silicone Blade for cleaning of inside glass surface.

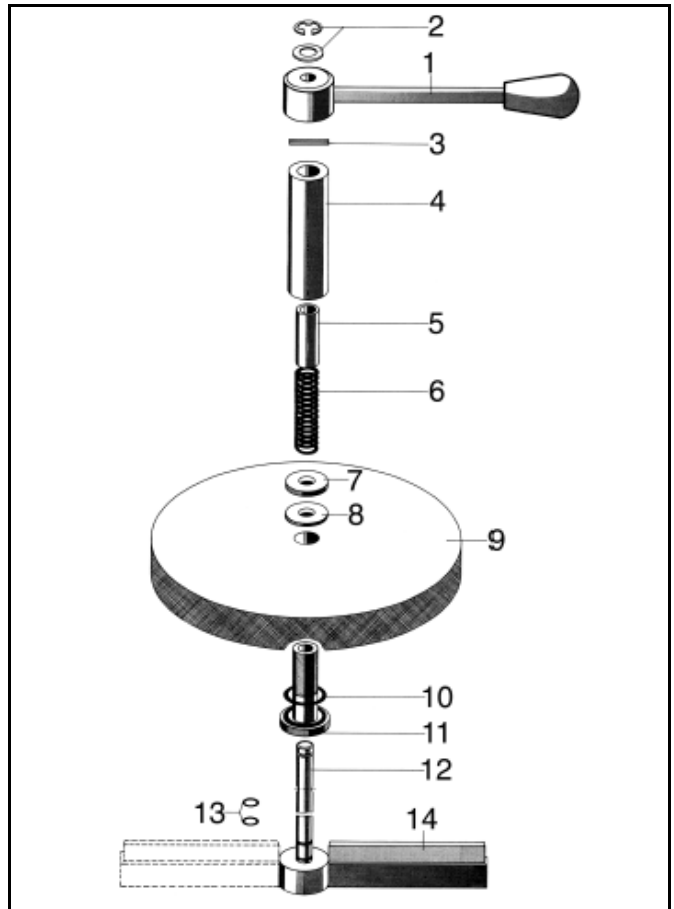
b. Combinations: May be combined with various lighting fixtures including Series PL, MSL, SLEX, REX and FIBERLUX and all PAPAILIAS, Inc. washing devices.

STANDARD MATERIALS OF CONSTRUCTION:

#	Description	Std. Construction
01	Handle/Arm	SST/Phenolic
02	Clip	Stainless Steel
03	Groove Pin	Brass
04	Threaded Spacer	Stainless Steel
05	Bushing	Stainless Steel
06	Tension Spring	Stainless Steel
07	Spring washer	Stainless Steel
08	Gasket	Fiber
09	Lens	Tempered Soda Lime Glass Tempered Borosilicate Glass Polycarbonate [Non-Glass]
10	O-Ring	Fluoroelastomer
11	Flanged Bushing	Stainless Steel
12	Blade Holder/Shaft	Stainless Steel
13	O-Rings	Fluoroelastomer
14	Wiper Blade	PTFE



PAPAILIAS, Inc. Series Type 1 Window Wiper
[Installed in Series NW Weld Pad Style Sight Glass]

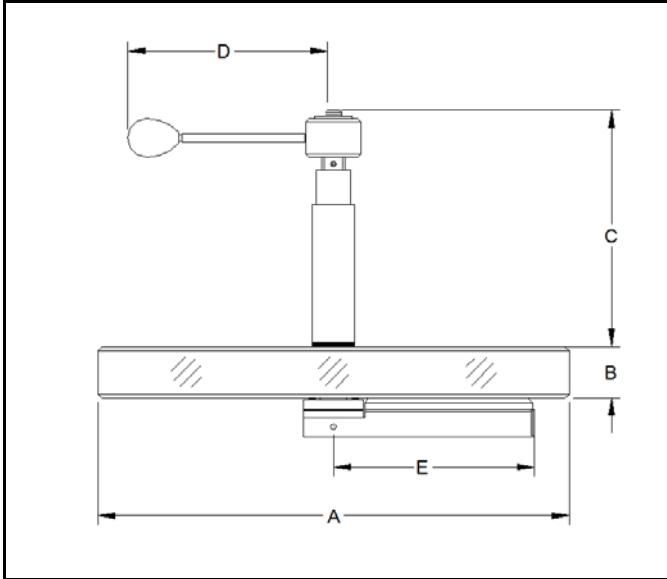


Exploded View of PAPAILIAS Type 1 Window Wiper

J.G PAPAILIAS CO., INC

245 Pegasus Ave., Northvale, NJ 07647
Tel: 201-767-4027 www.papailias.com

DATA SHEET | SERIES TYPE 1 WINDOW WIPER [LOW PRESSURE]



Model No.	A	B	C	D	E	Pressure Rating	Fits Sight Glass Model #s
TY1WW-NW50	3-15/16"	3/4"	3-5/8"	4"	1"	87 PSI	NW50
TY1WW-NW80	4-15/16"	3/4"	3-5/8"	4"	1-13/32"	65 PSI	NW80
TY1WW-NW100	5-7/8"	3/4"	3-5/8"	4"	1-7/8"	44 PSI	NW100
TY1WW-NW125	6-7/8"	3/4"	3-5/8"	4"	2-3/8"	44 PSI	NW125
TY1WW-NW150	7-7/8"	3/4"	3-5/8"	4"	2-7/8"	30 PSI	NW150
TY1WW-NW200	9-13/16"	3/4"	3-5/8"	4"	3-7/8"	30 PSI	NW200
TY1WW-NW-3"	4-15/16"	3/4"	3-5/8"	4"	1-13/32"	87 PSI	3"NW-BW, NW-RF, NW-FT
TY1WW-NW-4"	5-7/8"	3/4"	3-5/8"	4"	1-7/8"	65 PSI	4"NW-BW, NW-RF, NW-FT
TY1WW-NW-5"	6-7/8"	3/4"	3-5/8"	4"	2-3/8"	44 PSI	5"NW-BW, NW-RF, NW-FT
TY1WW-NW-6"	7-7/8"	3/4"	3-5/8"	4"	2-7/8"	44 PSI	6"NW-BW, NW-RF, NW-FT
TY1WW-NW-8"	9-13/16"	3/4"	3-5/8"	4"	3-7/8"	30 PSI	8"NW-BW, NW-RF, NW-FT
TY1WW-3SVTC	3"	1/2"	3-5/8"	4"	1-15/16"	87 PSI	3"SVTC
TY1WW-4SVTC	4"	3/4"	3-5/8"	4"	1-5/8"	87 PSI	4"SVTC
TY1WW-6SVTC	5-7/8"	3/4"	3-5/8"	4"	2-1/8"	44 PSI	6"SVTC
TY1WW-8SVTC	7-7/8"	3/4"	3-5/8"	4"	3-3/8"	30 PSI	8"SVTC

INSTALLATION AND ASSEMBLY:

When supplied from the factory PAPAILIAS, Inc. Type 1 Window Wipers are supplied either with the glass lens or as a replacement for the wiper mechanism only. Users must obtain, read and implement all installation manuals prior to installation, assembly or maintenance efforts.

NOTE:

The sight glass lens is not automatically included when ordering. Please specify if a lens is required with your order.

ORDERING INFORMATION:

Please order by using the model number above. In addition please also specify the following:

- Lens Material [If needed]
 - Tempered Soda Lime Glass [300°F Max]
 - Tempered Borosilicate Glass [400°F Max]
 - Polycarbonate, Non-Glass [200°F]
- Operating Conditions:
 - System Design Pressure
 - System Design Temperature
 - Polycarbonate, Non-Glass [200°F]
- For sizes or sight glass models not listed above:
 - Please Specify (a) and (b) above.
- Sight glass lens outside and unsupported diameters.

J.G PAPAILIAS CO., INC

245 Pegasus Ave., Northvale, NJ 07647
Tel: 201-767-4027 www.papailias.com

